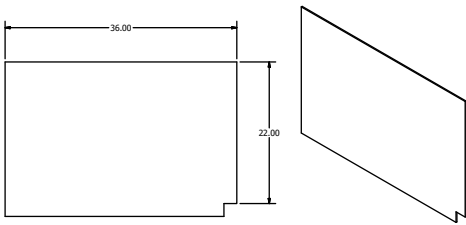
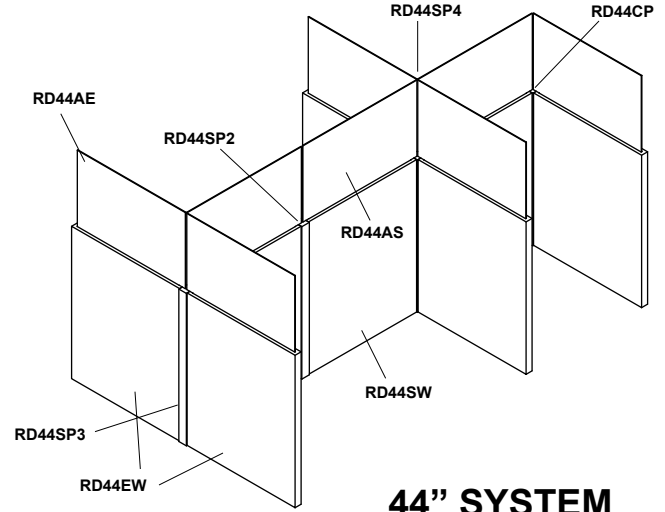




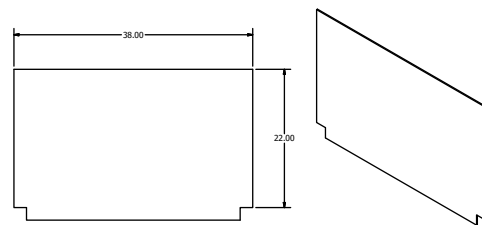
c pathe

PARTITIONING SYSTEMS

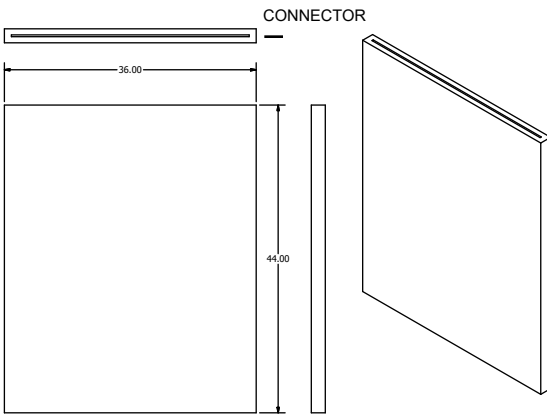
COVID-19 is changing the way all of us work, dine out, congregate, and collaborate. C Pathe Partitioning Systems were created to address these changes and facilitate businesses, medical facilities, meeting centers, and restaurants that need to adapt their operations. Our Partitioning System is a modular network of Walls and Connectors designed to support the evolution of your business practice. We can work with you to customize the finishes and layout to make the most efficient use of your facility and maintain high levels of customer satisfaction. C Pathe Partitioning Systems are constructed with high quality HPL laminate finishes and clear acrylic windows that are easy to maintain and sanitize with common cleaners. These components are durable and well-crafted, providing years of dependable service that reflect well on your business practice. Contact C Pathe today to discuss your specific needs and allow us to tailor a solution that exceeds your expectations.



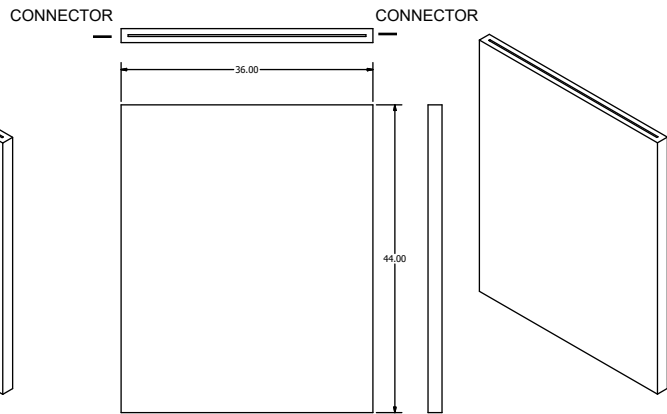
SCREENS RD44AE
END SCREEN



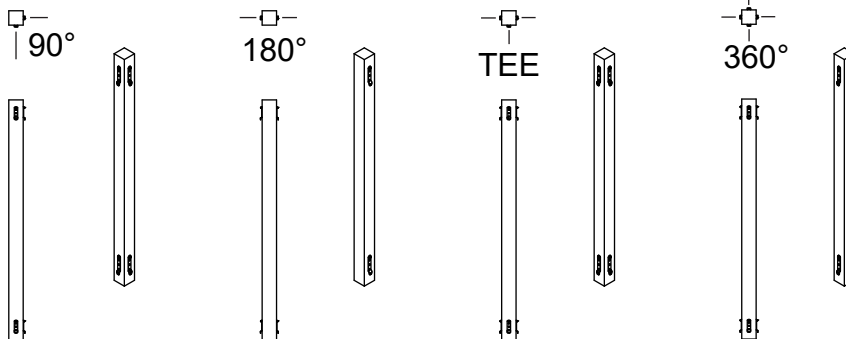
RD44AS
SECTION SCREEN



WALLS RD44EW
END WALL



RD44SW
SECTION WALL



CONNECTORS RD44CP CORNER RD44SP2 CORNER RD44SP3 CORNER RD44SP4 CORNER